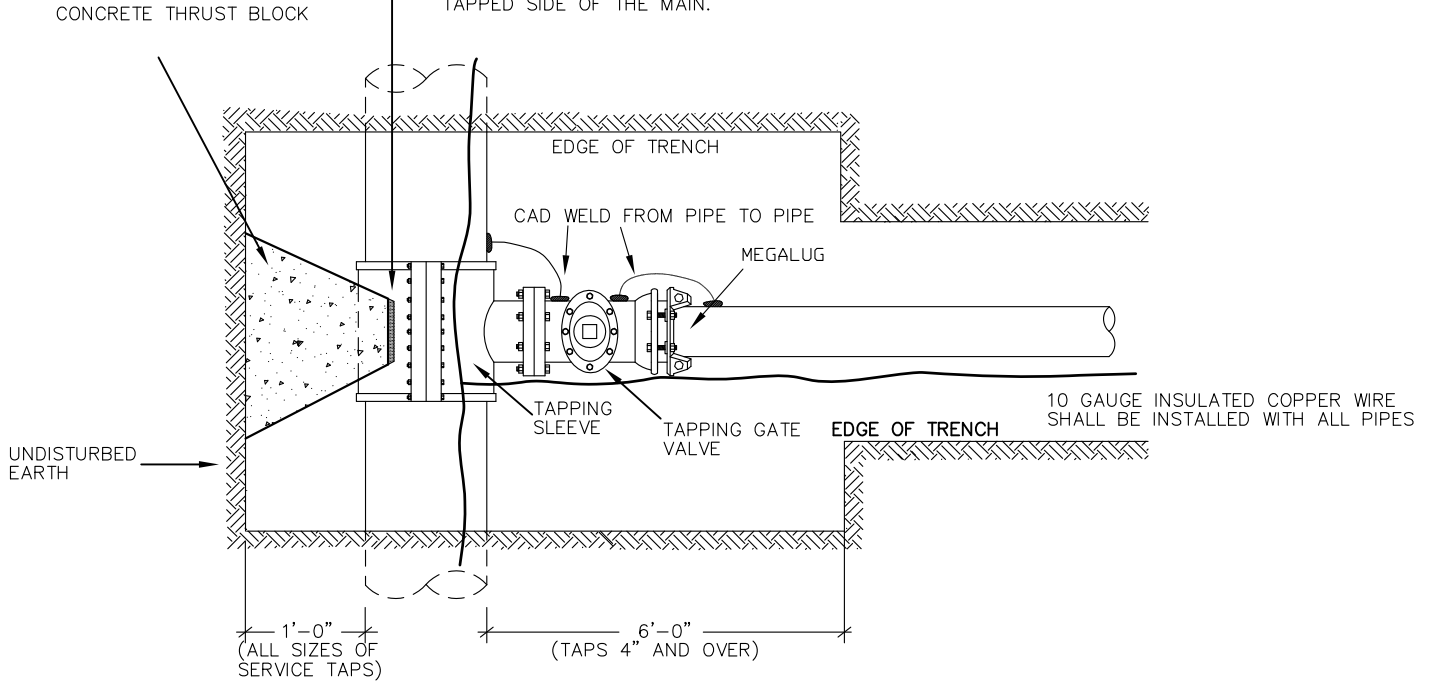
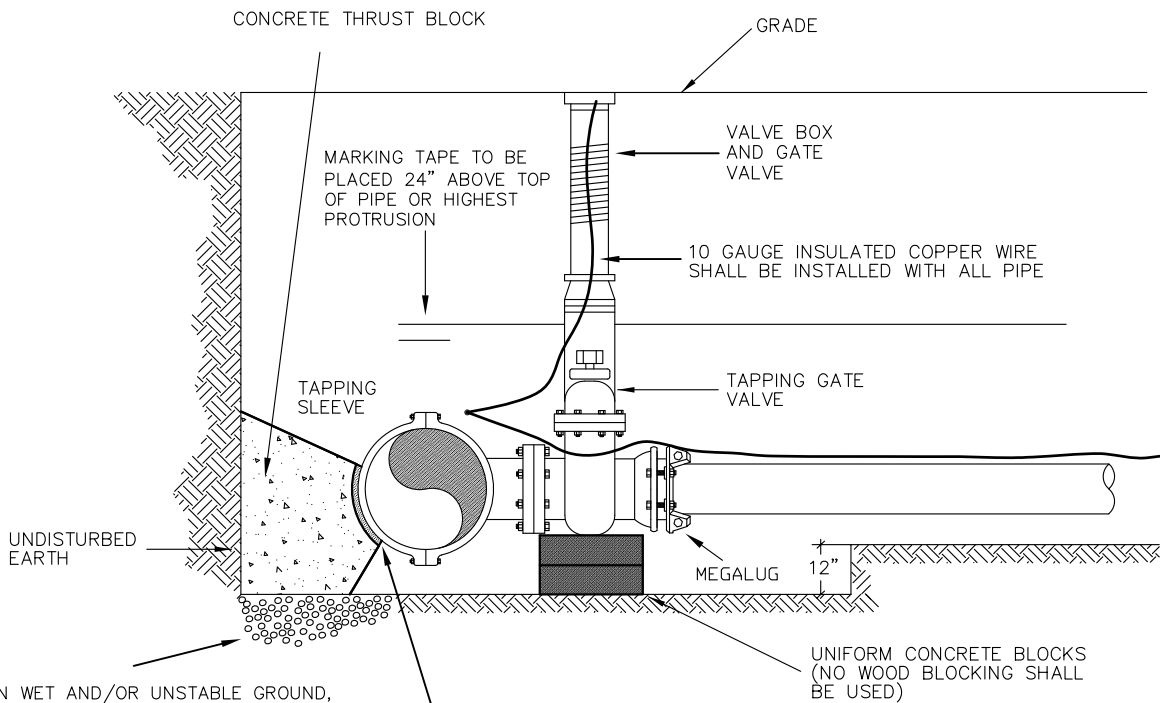


BOND BREAKER 4 MIL POLYETHYLENE PLASTIC EVERYWHERE CONCRETE CONTACTS PIPES, FITTINGS, BOLTS, & NUTS. ALL NUTS SHALL BE ON THE SIDE OPPOSITE THE THRUST BLOCK SO AS TO BE ACCESSIBLE FROM THE TAPPED SIDE OF THE MAIN.



PLAN




IN WET AND/OR UNSTABLE GROUND, THE TRENCH BOTTOM WILL BE BROUGHT TO GRADE WITH DISTRICT APPROVED BEDDING TO SUPPORT THRUST BLOCK.

BOND BREAKER 4 MIL POLYETHYLENE PLASTIC EVERYWHERE CONCRETE CONTACTS PIPES, FITTINGS, BOLTS, & NUTS. ALL NUTS SHALL BE ON THE SIDE OPPOSITE THE THRUST BLOCK SO AS TO BE ACCESSIBLE FROM THE TAPPED SIDE OF THE MAIN.

**GENERAL NOTE**

1. NO TAPPING SLEEVES WILL BE ALLOWED WHERE PRESSURES MAY EXCEED 150psi WORKING PRESSURE UNLESS WRITTEN PERMISSION IS GIVEN BY THE DISTRICT.
2. PRIOR WRITTEN APPROVAL REQUIRED BY DISTRICT

ELEVATION

 EAGLE RIVER WATER & SANITATION DISTRICT	
<b>WATER MAIN TAPPING DETAIL</b>	
SCALE: NONE	DATE: 01-01-09
LAST REVISION: 01-01-06	W-11
APPROVED FOR YEAR 2009	