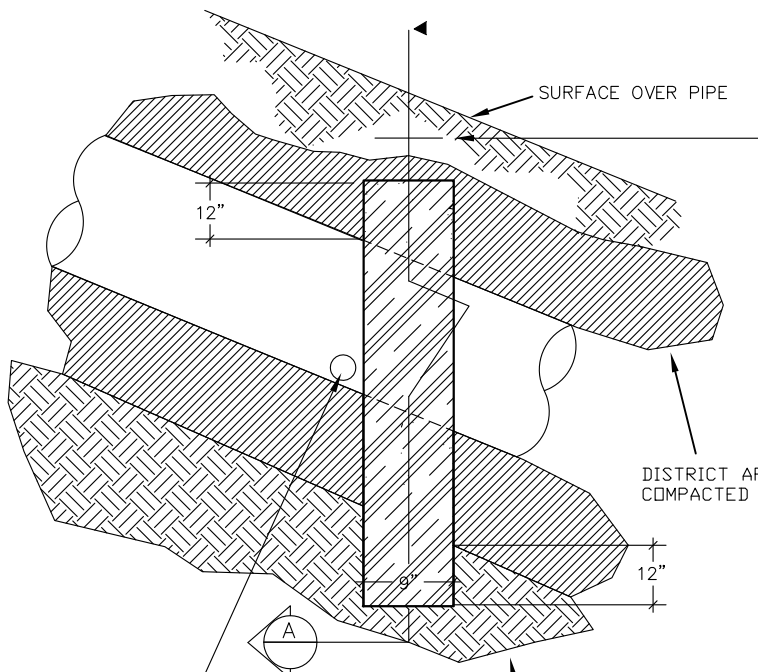


INSTALL DISCHARGE DRAIN TO DAYLIGHT ON THE UPHILL SIDE OF THE CLAY BARRIER. THE TYPE AND CONSTRUCTION METHOD WILL VARY DEPENDING ON THE TOPOGRAPHY.



APPROPRIATE DRAINS TO DAYLIGHT ARE TO BE LOCATED ON THE UPHILL SIDE OF CONCRETE BLOCKS SEE GROUND WATER BARRIER DETAIL

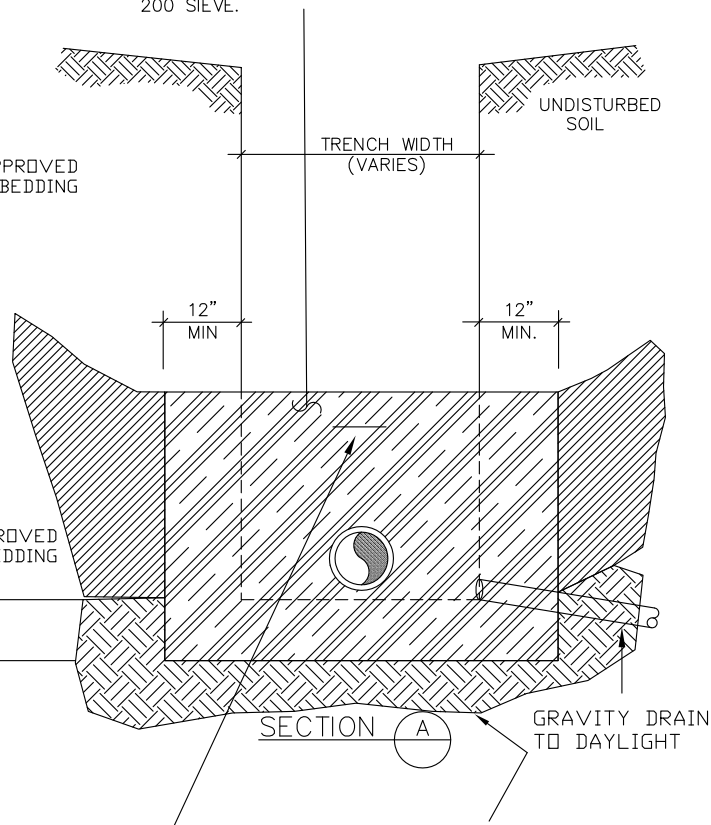
UNDISTURBED SOIL

DISTRICT APPROVED COMPACTED BEDDING

MINIMUM INTO UNDISTURBED SOIL 12"

MARKING TAPE TO BE PLACED 24" ABOVE TOP OF PIPE OR ANY PROTRUSION

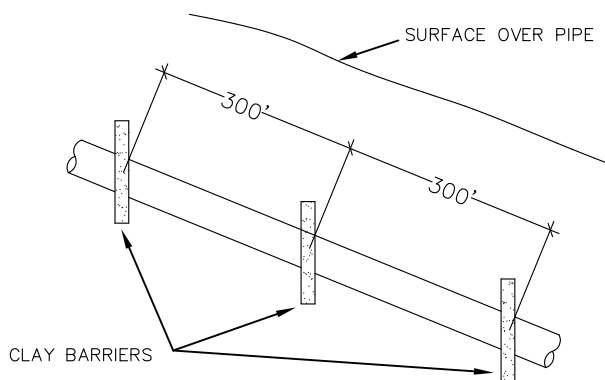
CLAY MATERIAL OR FLO-FILL COMPACTED TO 95% STANDARD PROCTOR- PLASTICITY INDEX OF 10 AND MIN. 70% PASSING 200 SIEVE.




MARKING TAPE TO BE PLACED 24" ABOVE TOP OF PIPE OR ANY PROTRUSION

UNDISTURBED SOIL

GRAVITY DRAIN TO DAYLIGHT



ELEVATION

 EAGLE RIVER WATER & SANITATION DISTRICT	
GROUNDWATER BARRIER	
SCALE: NONE	DATE: 01-01-09
LAST REVISED: 12-31-01	W-10
APPROVED FOR YEAR 2009	