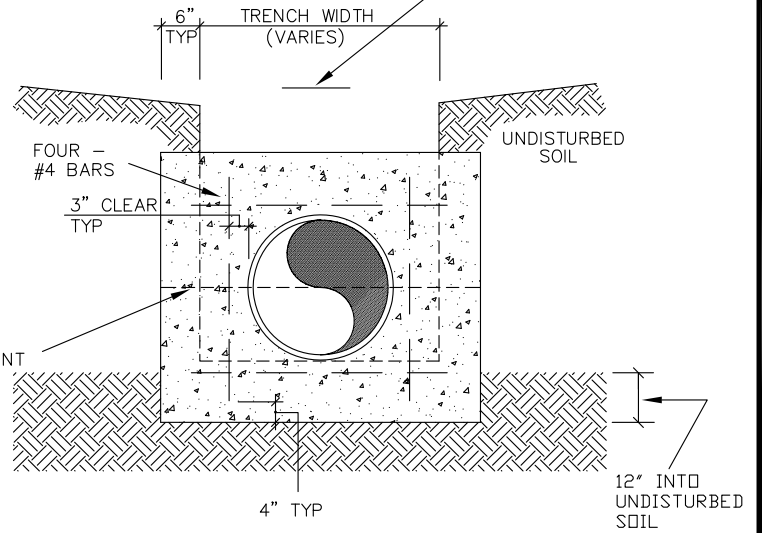


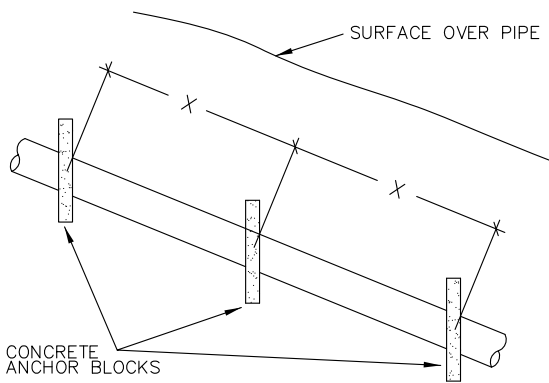
APPROPRIATE DRAINS TO DAYLIGHT ARE TO BE LOCATED ON THE UPHILL SIDE OF CONCRETE BLOCKS SEE GROUND WATER BARRIER DETAIL

MARKING TAPE TO BE PLACED 24" ABOVE TOP OF PIPE OR ANY PROTRUSION

DISTRICT APPROVED COMPACTED, BEDDING




SECTION A



ELEVATION

DISTANCE "X" TO BE DETERMINED BY THE ENGINEER AND SUBMITTED TO THE DISTRICT FOR REVIEW PRIOR TO CONSTRUCTION.

 EAGLE RIVER WATER & SANITATION DISTRICT	
ANCHOR BLOCK/ CUTOFF COLLAR	
SCALE: NONE	DATE: 01-01-09
LAST REVISION: 12-31-01	W-09
APPROVED FOR YEAR 2009	