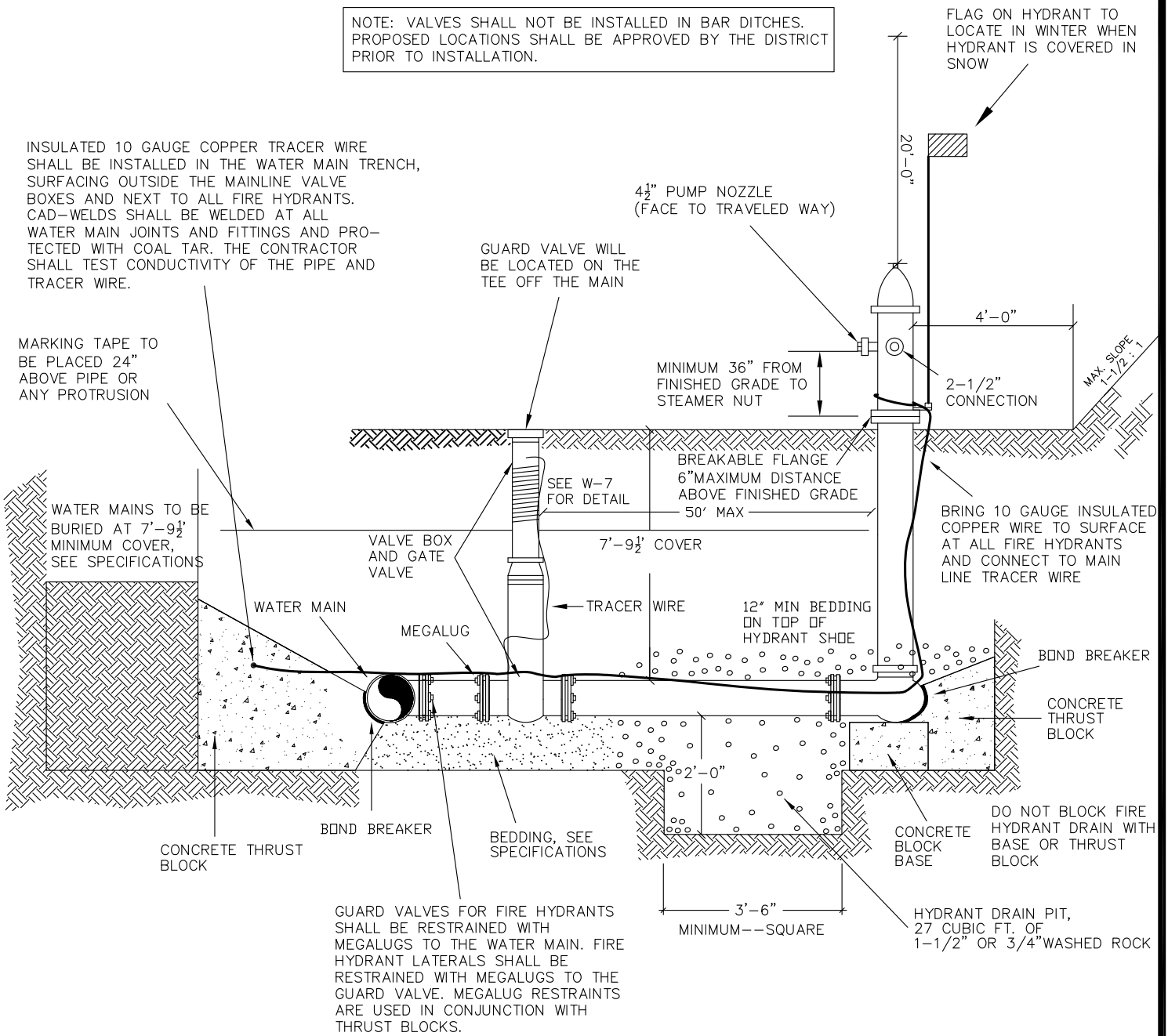


NOTE: VALVES SHALL NOT BE INSTALLED IN BAR DITCHES. PROPOSED LOCATIONS SHALL BE APPROVED BY THE DISTRICT PRIOR TO INSTALLATION.

INSULATED 10 GAUGE COPPER TRACER WIRE SHALL BE INSTALLED IN THE WATER MAIN TRENCH, SURFACING OUTSIDE THE MAINLINE VALVE BOXES AND NEXT TO ALL FIRE HYDRANTS. CAD-WELDS SHALL BE WELDED AT ALL WATER MAIN JOINTS AND FITTINGS AND PROTECTED WITH COAL TAR. THE CONTRACTOR SHALL TEST CONDUCTIVITY OF THE PIPE AND TRACER WIRE.

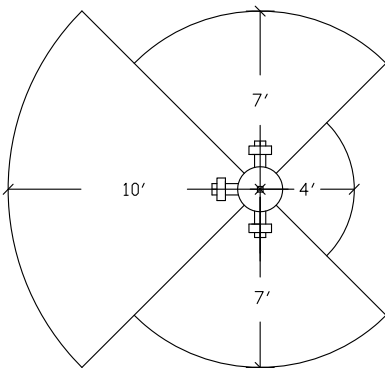
MARKING TAPE TO BE PLACED 24" ABOVE PIPE OR ANY PROTRUSION




GUARD VALVES FOR FIRE HYDRANTS SHALL BE RESTRAINED WITH MEGALUGS TO THE WATER MAIN. FIRE HYDRANT LATERALS SHALL BE RESTRAINED WITH MEGALUGS TO THE GUARD VALVE. MEGALUG RESTRAINTS ARE USED IN CONJUNCTION WITH THRUST BLOCKS.

HYDRANT CLEARANCE DIAGRAM

THERE ARE NO ABOVE GROUND OBSTRUCTIONS ALLOWED IN THESE AREAS



- FRONT---10 FEET OF CLEARANCE
- SIDES---7 FEET OF CLEARANCE
- REAR---4 FEET OF CLEARANCE
- ABOVE---20 FEET OF CLEARANCE

 EAGLE RIVER WATER & SANITATION DISTRICT	
FIRE HYDRANT ASSEMBLY	
SCALE: NONE	DATE: 01-01-09
LAST REVISED: 01-01-07	W-07
APPROVED FOR YEAR 2009	