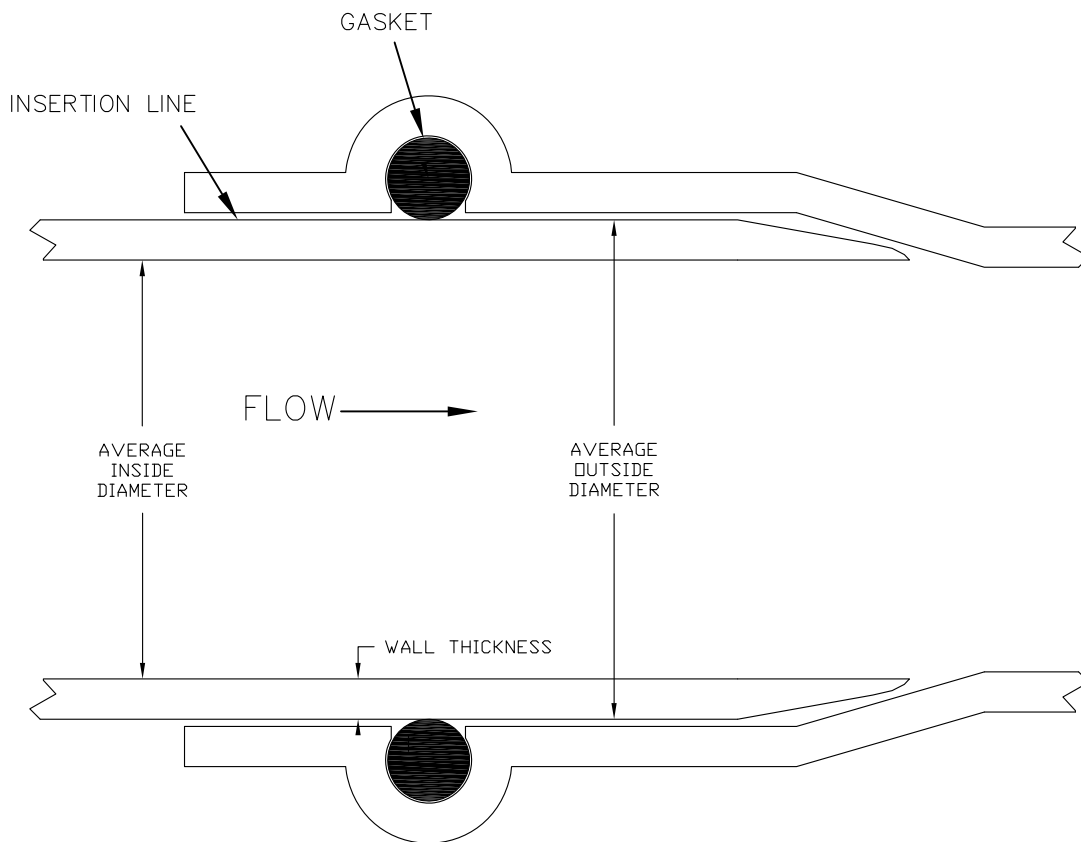



SEWER JOINT DETAIL FOR BELLED SEWER PIPES



 EAGLE RIVER WATER & SANITATION DISTRICT	
SEWER MAIN JOINT DETAIL	
SCALE: NONE	DATE: 01-01-09
REVISIONS: 01-01-06	S-16
APPROVED: FOR YEAR 2009	